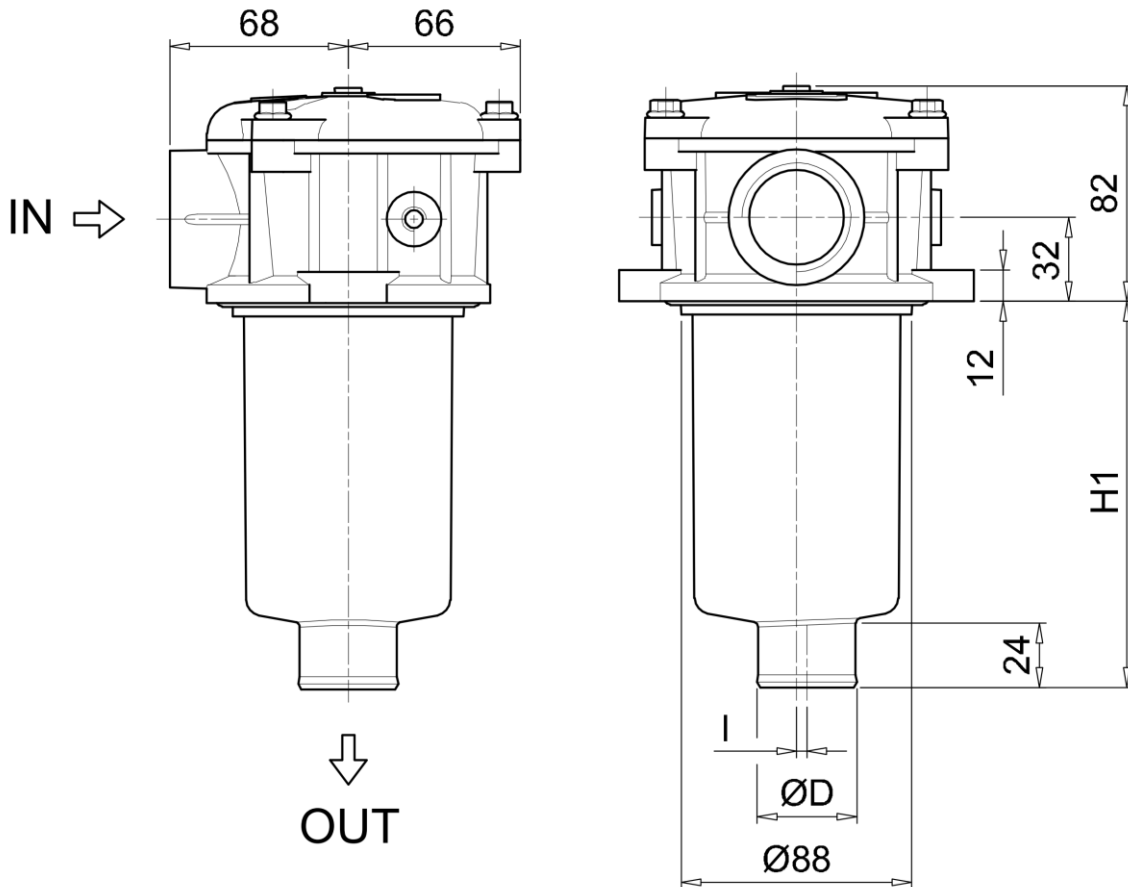
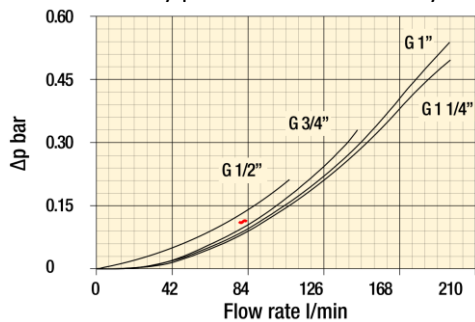


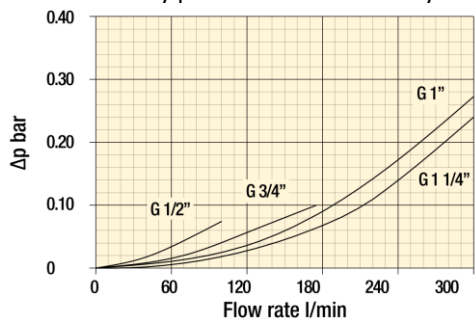
FILTR ODPADNÍ MPF1003AG1+A10HBT



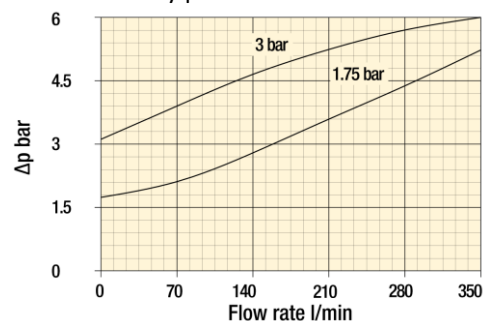
Tlakový pokles těla filtru – délky 1-2



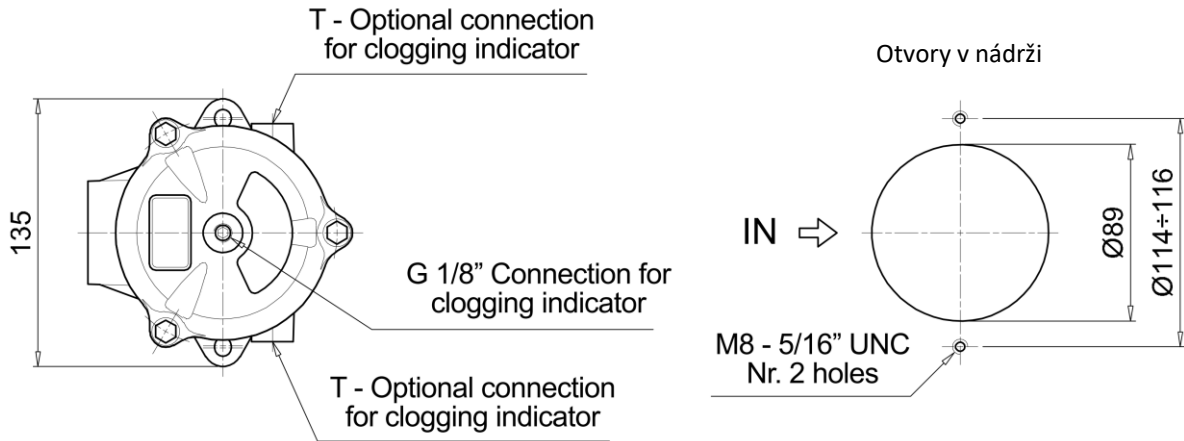
Tlakový pokles těla filtru – délky 3-4



Tlakový pokles obtokového ventilu



Typ	H1 [mm]	D [mm]	l [mm]
MPF1001	100	38	4
MPF1002	147	38	4
MPF1003	225	47	-
MPF1004	327	47	2,5



Objednací klíč

COMPLETE FILTER	
Series and size MPF100 Filter element with standard spigot	Configuration example: MPF100 2 W G3 A06 W B P01
Length 1 2 3 4	
Seals and treatments A NBR V FPM W NBR head anodized Z FPM head anodized	
Connections G1 G 1/2" G2 G 3/4" G3 G 1" G4 1/2" NPT G5 3/4" NPT G6 1" NPT	Connections G7 SAE 8 - 3/4" - 16 UNF G8 SAE 12 - 1 1/16" - 12 UN G9 SAE 16 - 1 5/16" - 12 UN G10 G 1 1/4" G11 1 1/4" NPT G12 SAE 20 - 1 5/8" - 12 UN
Filtration rating (filter media) A03 Inorganic microfiber 3 µm A06 Inorganic microfiber 6 µm A10 Inorganic microfiber 10 µm A16 Inorganic microfiber 16 µm A25 Inorganic microfiber 25 µm	M25 Wire mesh 25 µm M60 Wire mesh 60 µm M90 Wire mesh 90 µm P10 Resin impregnated paper 10 µm P25 Resin impregnated paper 25 µm
Element Δp N 10 bar H 10 bar W 10 bar, compatible with fluids HFA, HFB and HFC	Filter media Axx Mxx Pxx • • • • •
	Bypass valve E 3 bar B 1.75 bar
	Execution P01 MP Filtri standard Pxx Customized